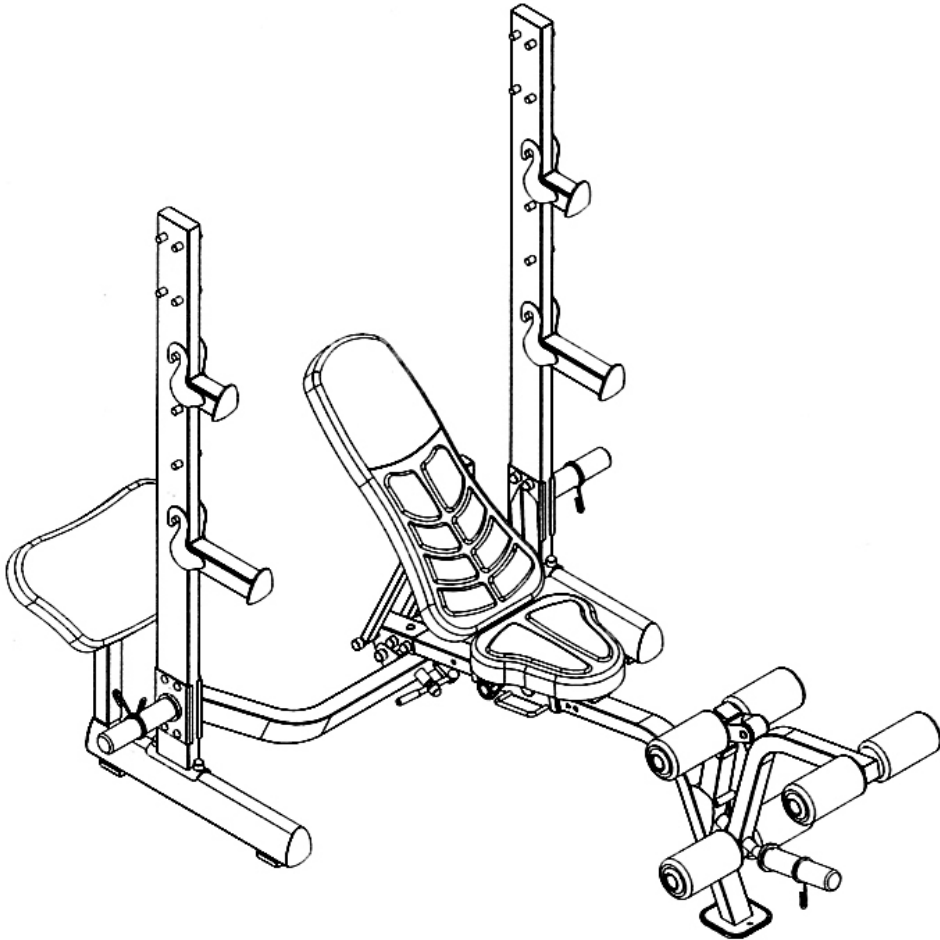


# MARCY®

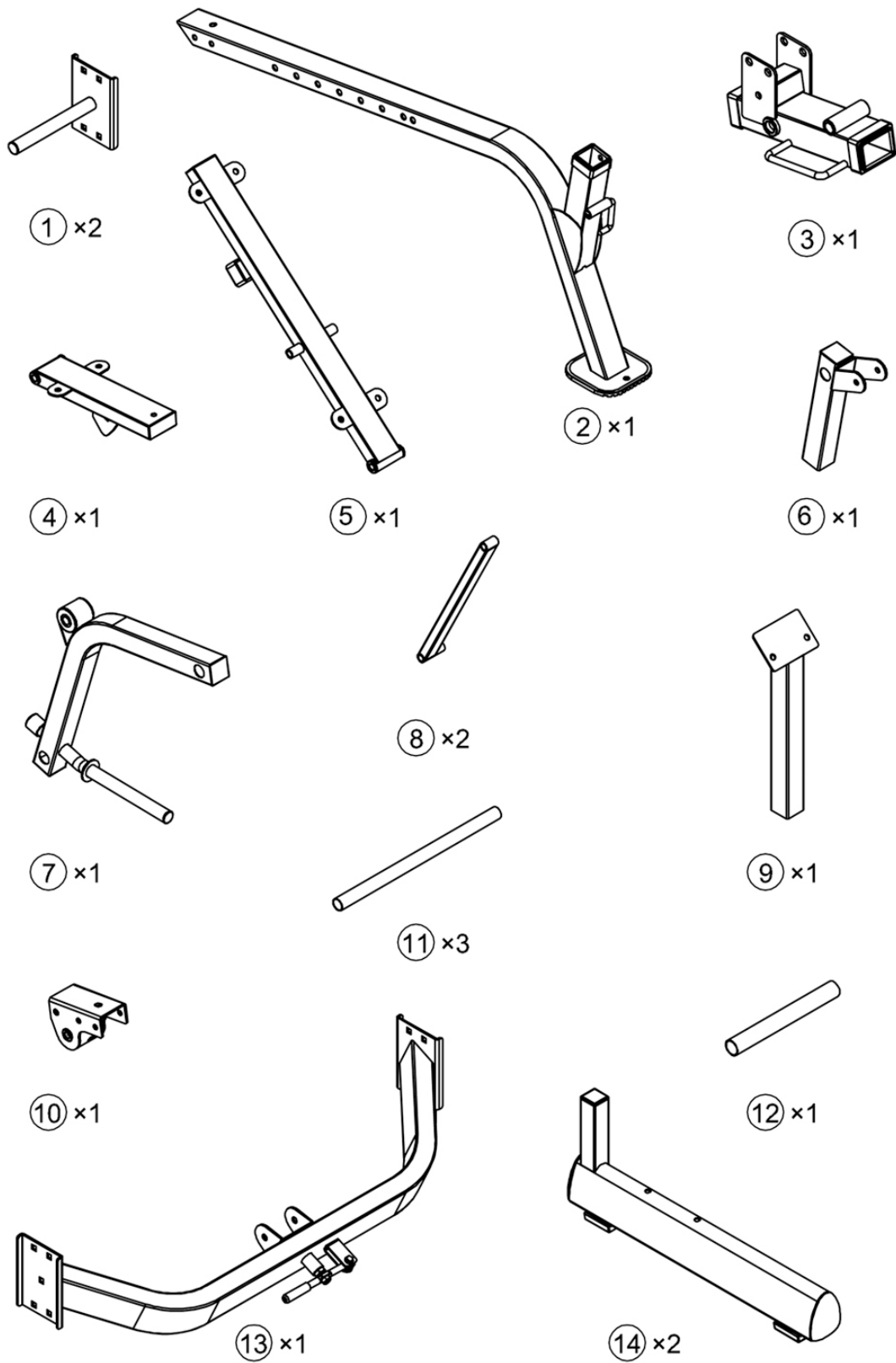
## OLYMPIC BENCH MWB-70205

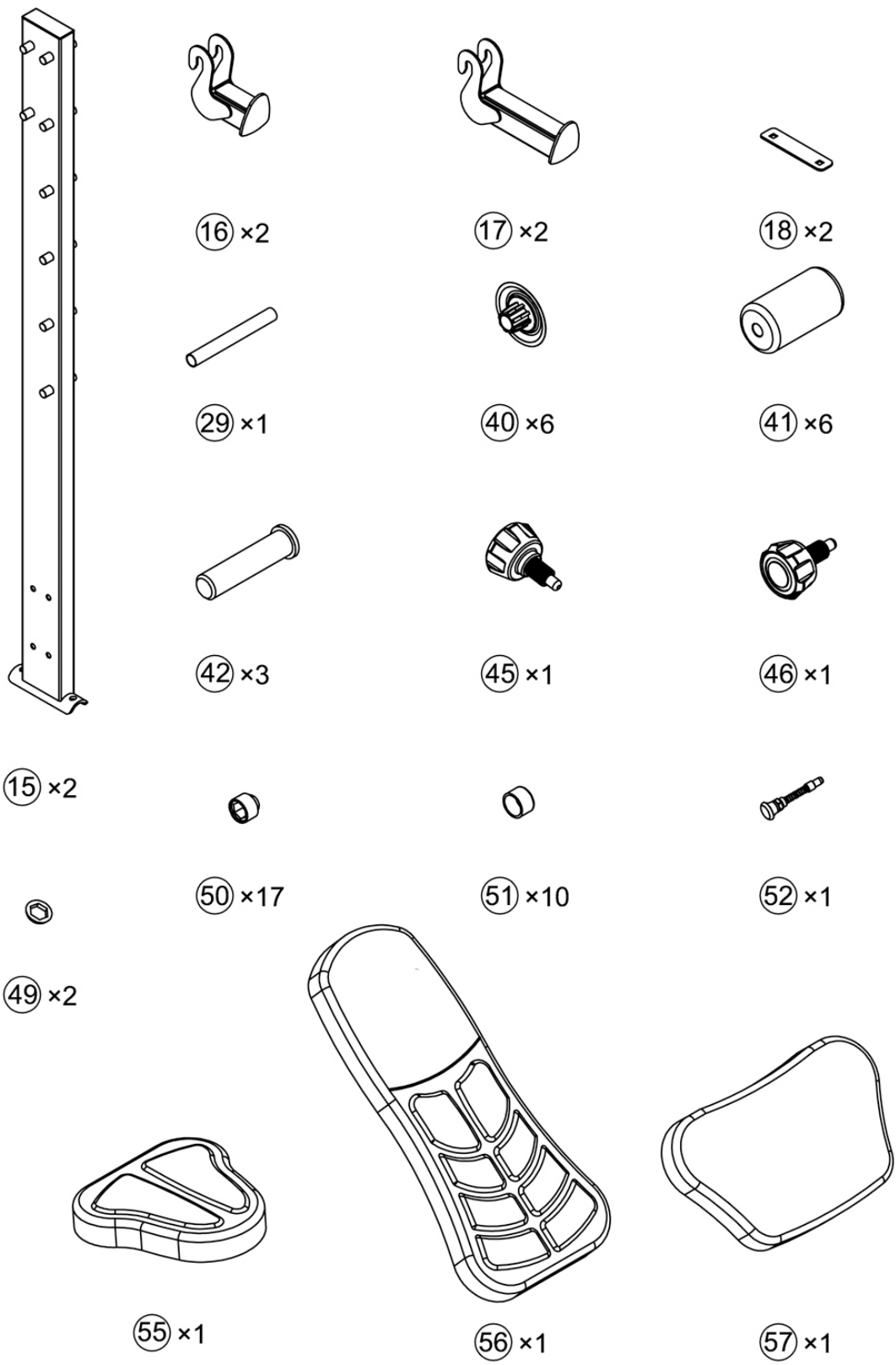


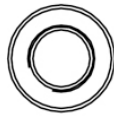
**IMPORTANT:** Please read the Important Safety Notice and Assembly Information in the Owner's manual before assembling this product.

**Assembly Manual**

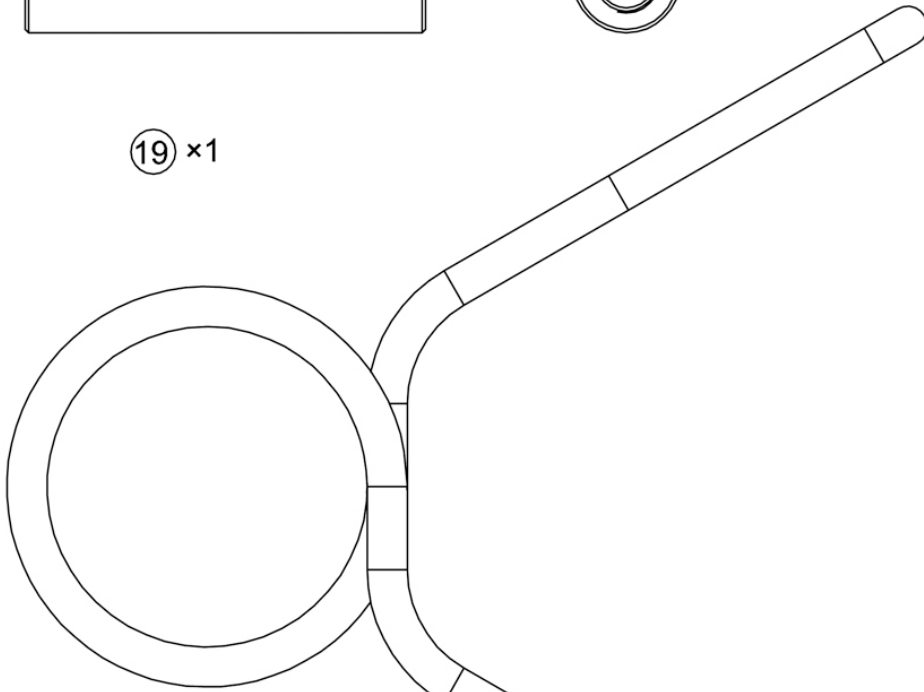
150603



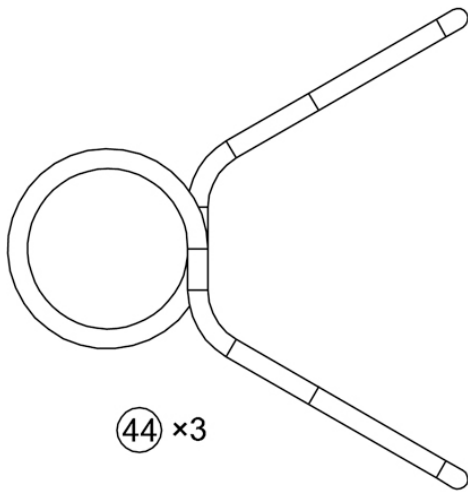




①⑨ × 1

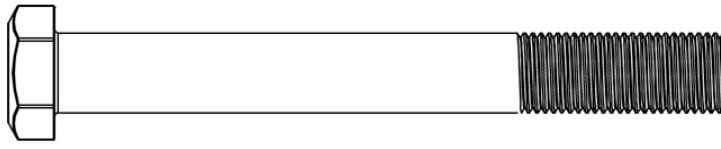


④③ × 3

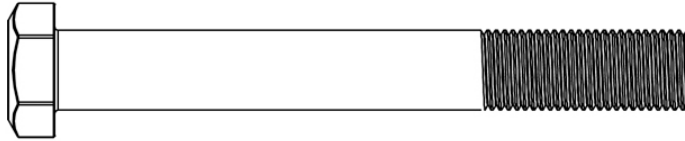


④④ × 3

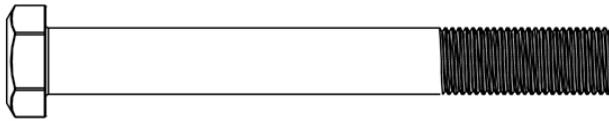




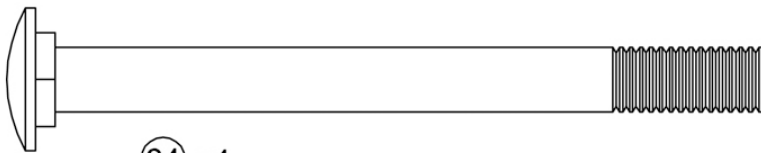
⑤9 ×1



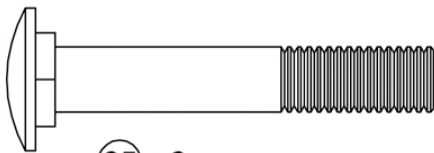
⑥0 ×2



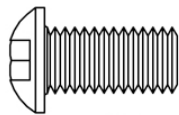
⑥2 ×2



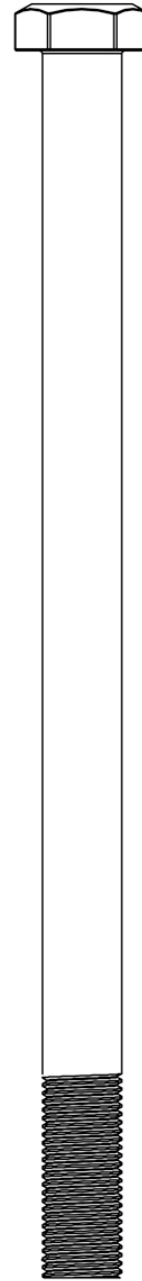
⑥4 ×4



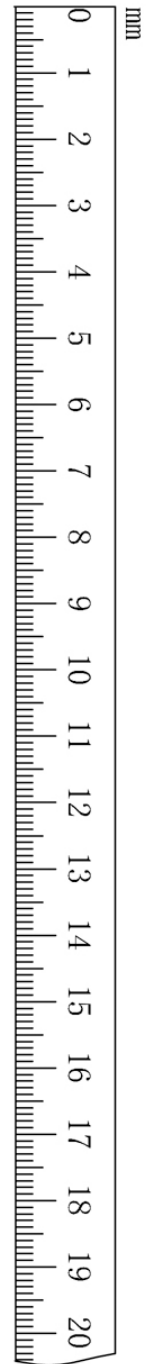
⑥5 ×8

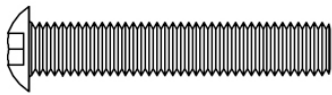


⑥6 ×3

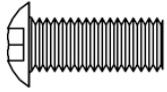


⑥1 ×2

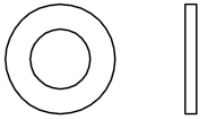




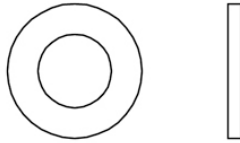
⑥7 ×1



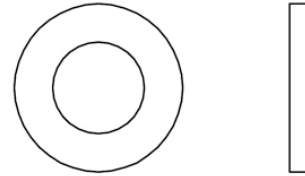
⑥8 ×8



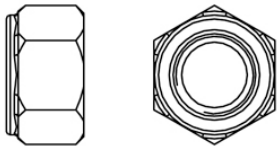
⑥9 ×9



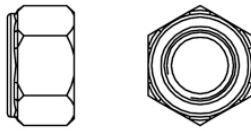
⑦0 ×19



⑦1 ×10



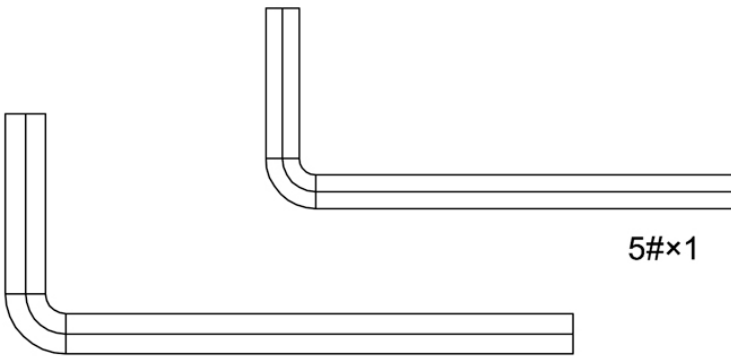
⑦3 ×5



⑦4 ×14



4#×1



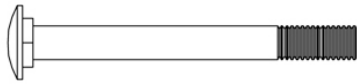
5#×1

mm

6#×2



64



x 4

M10 x 4 3/8"

70



x 4

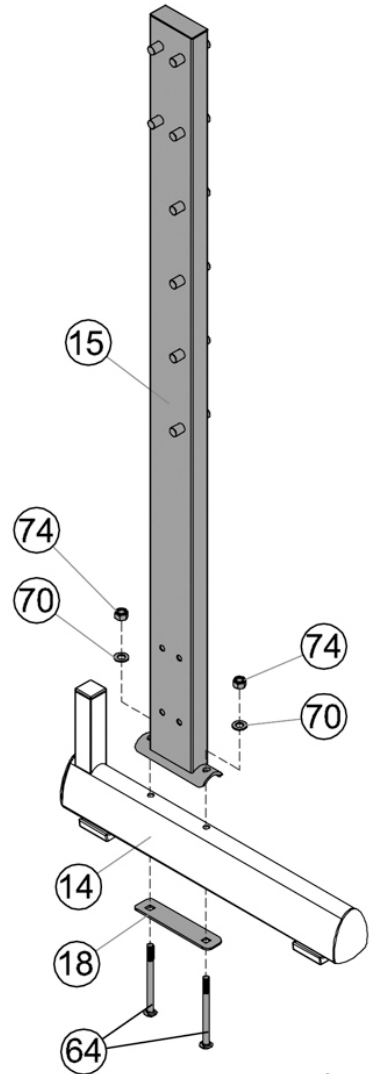
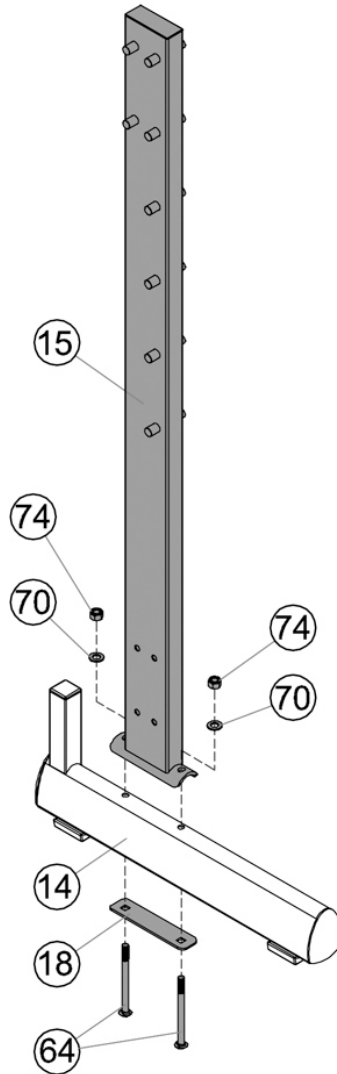
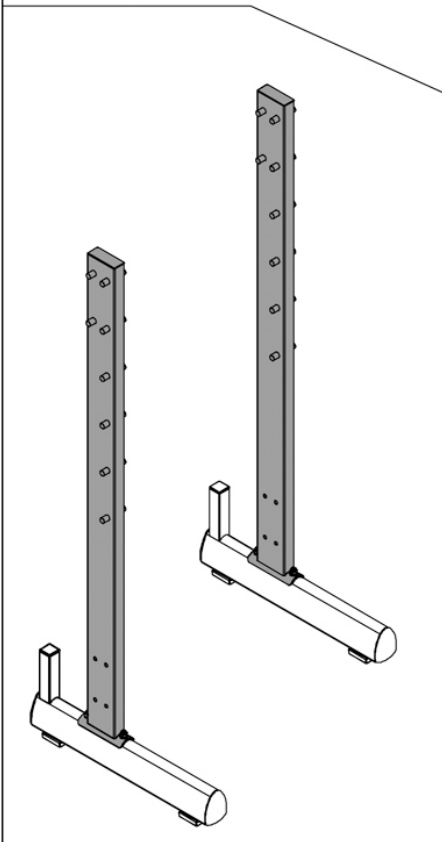
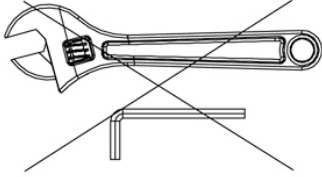
Ø 3/4"

74

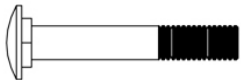



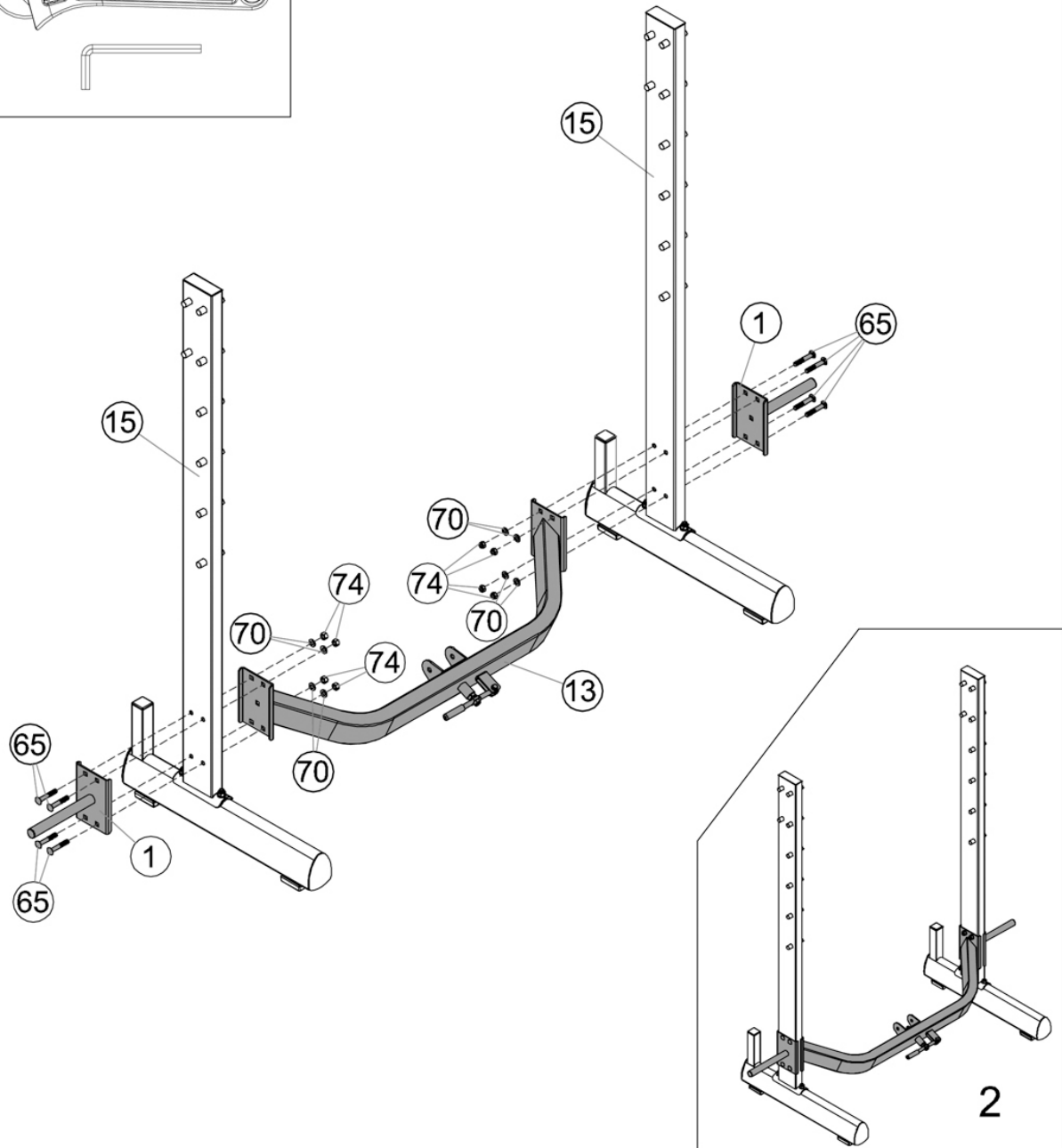
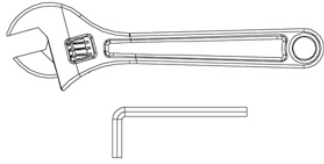
x 4

M10

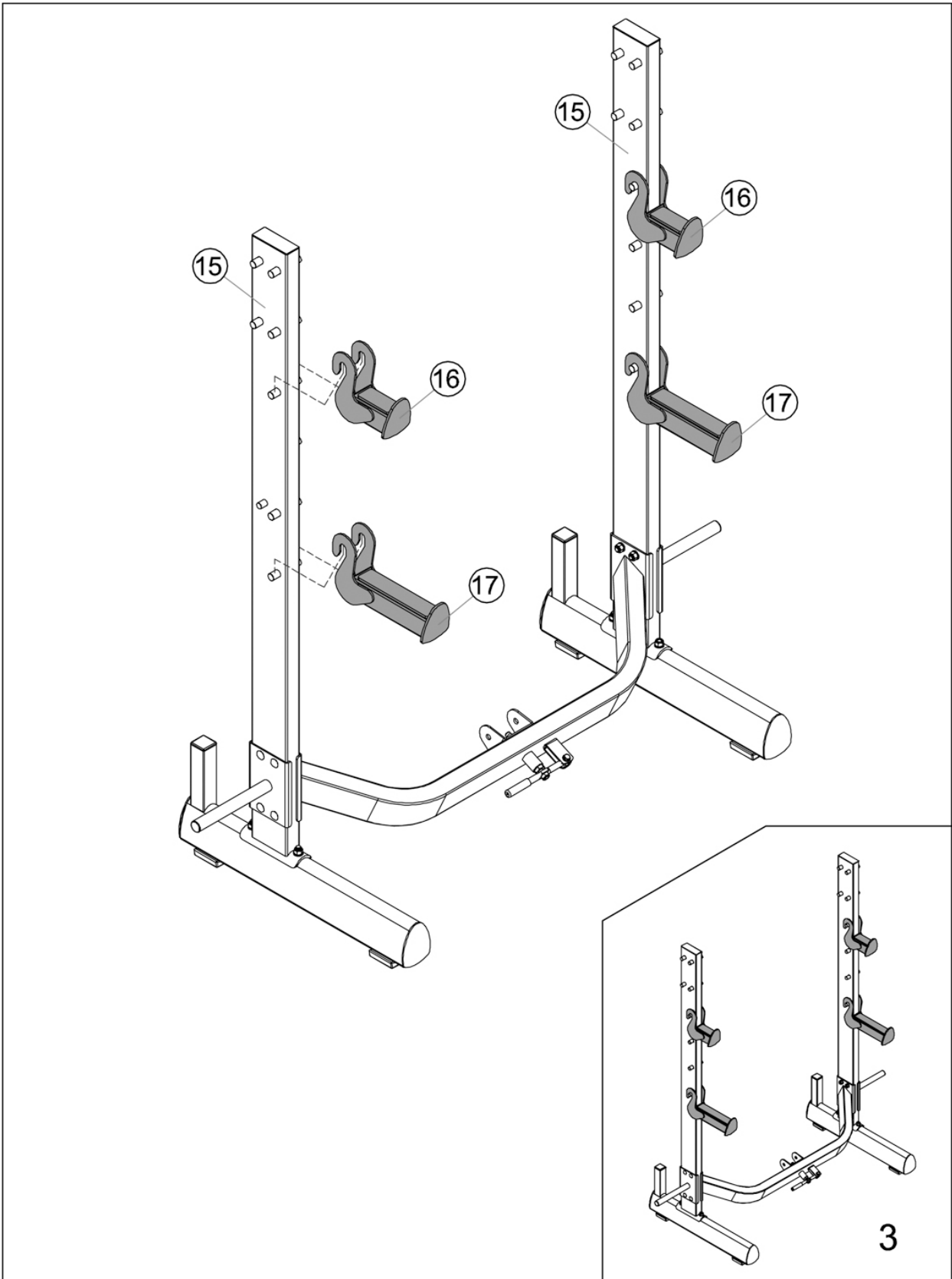


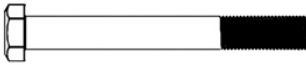
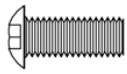



1

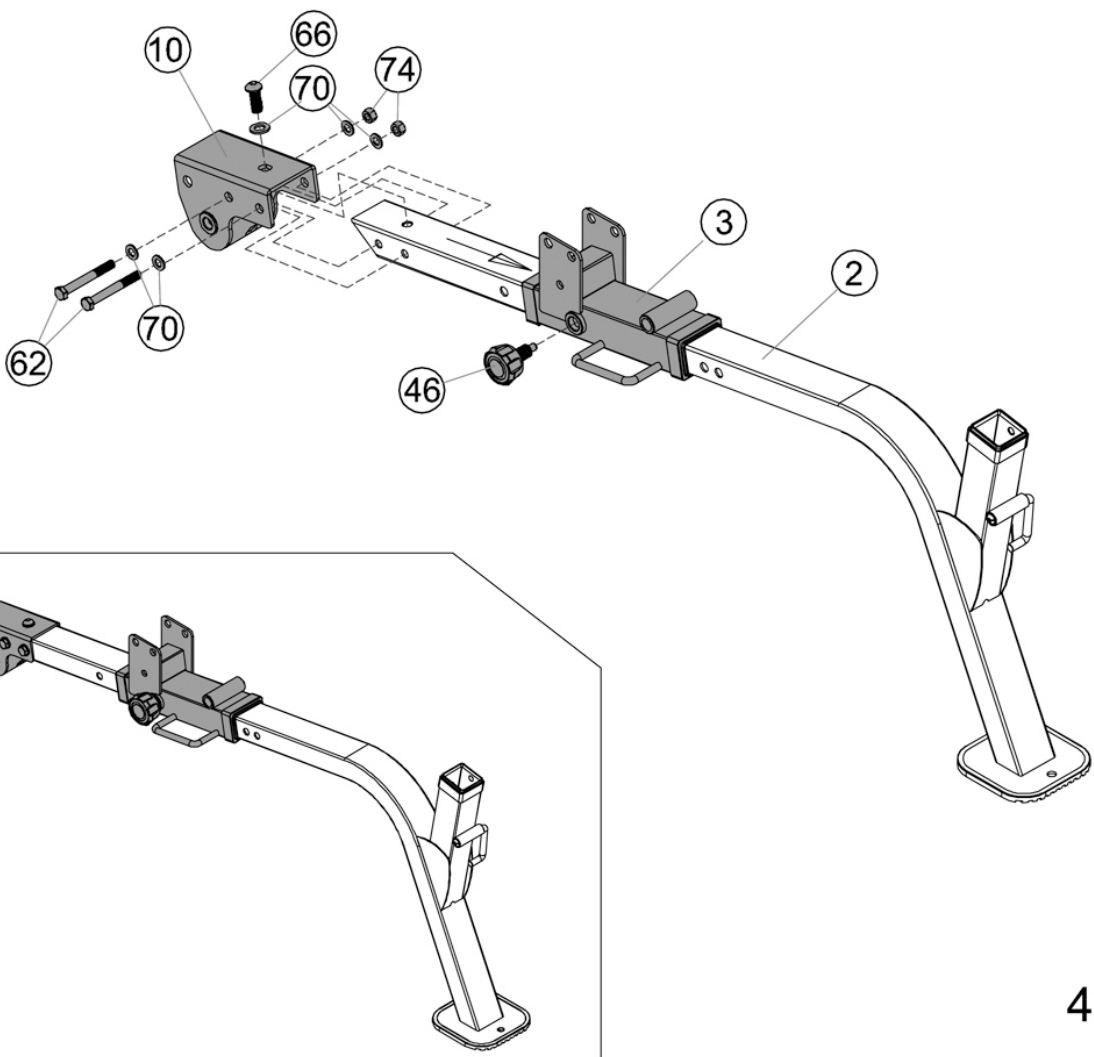
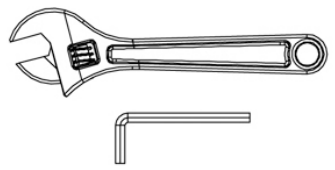
65		x 8	M10 x 2 3/8"
70		x 8	Ø 3/4"
74		x 8	M10



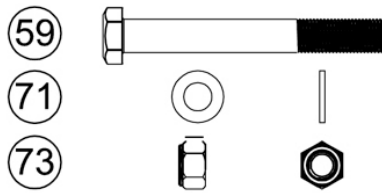




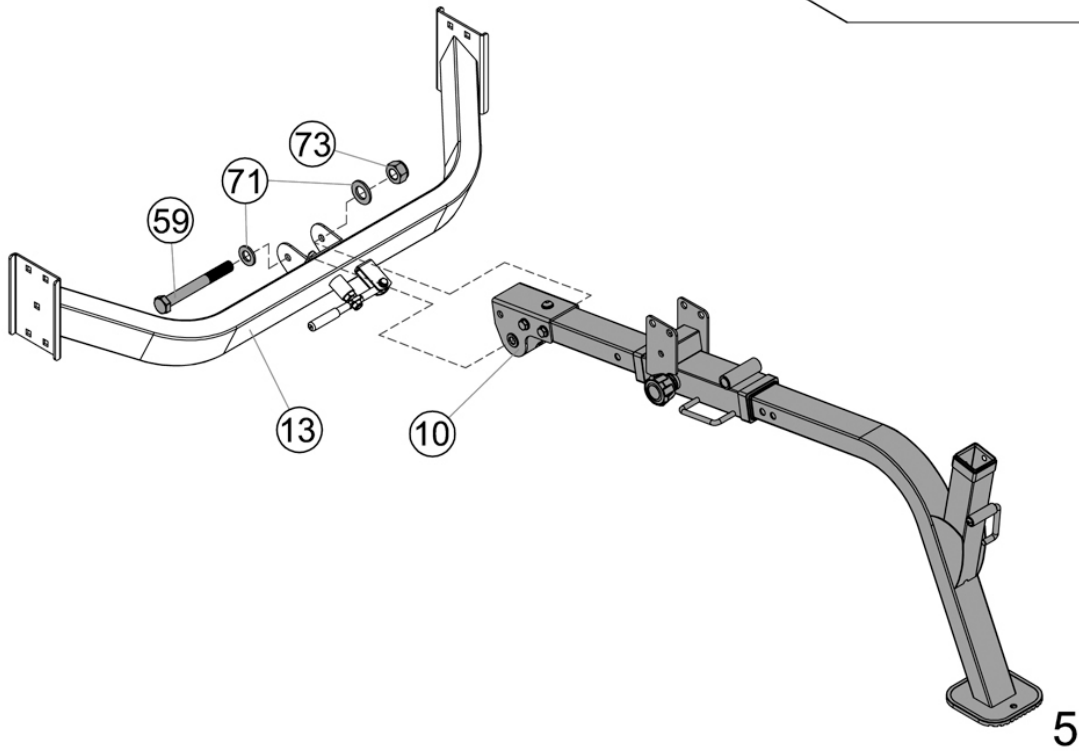
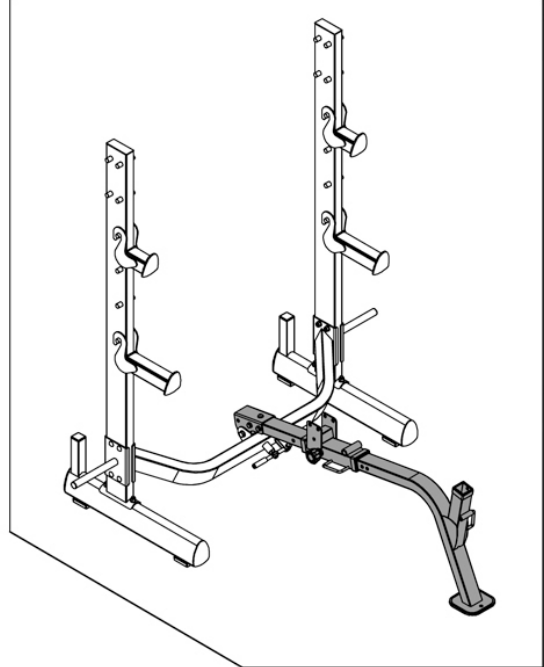
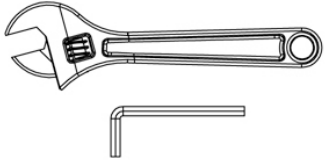
62		x 2	M10 x 3 3/8"
66		x 1	M10 x 3/4"
70		x 5	Ø 3/4"
74	 	x 2	M10









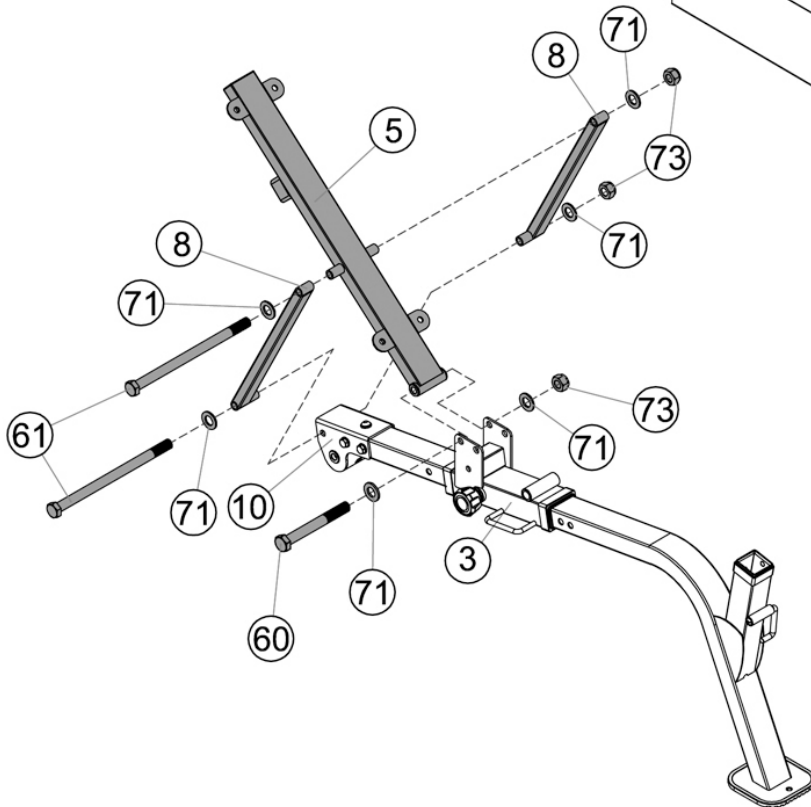
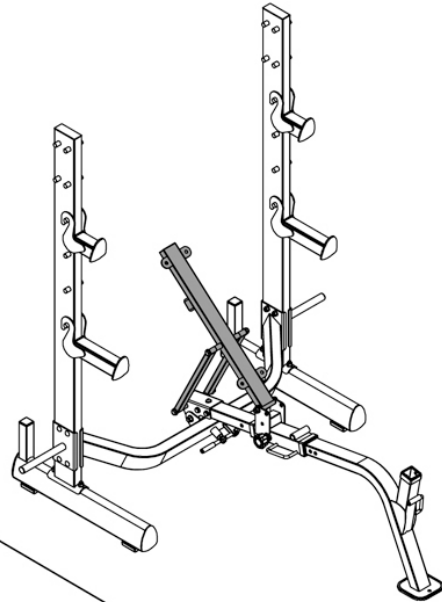
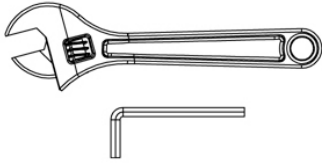
4



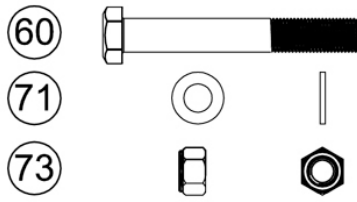
× 1 M12 x 4"  
 × 2 Ø 7/8"  
 × 1 M12



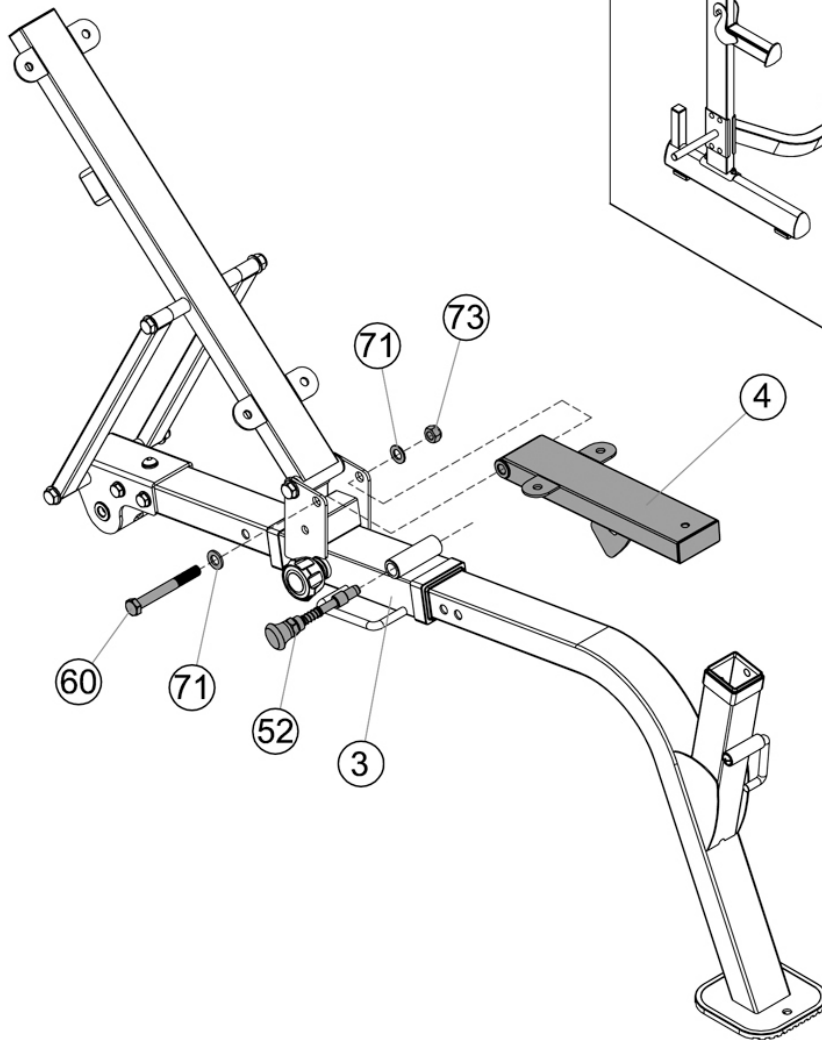
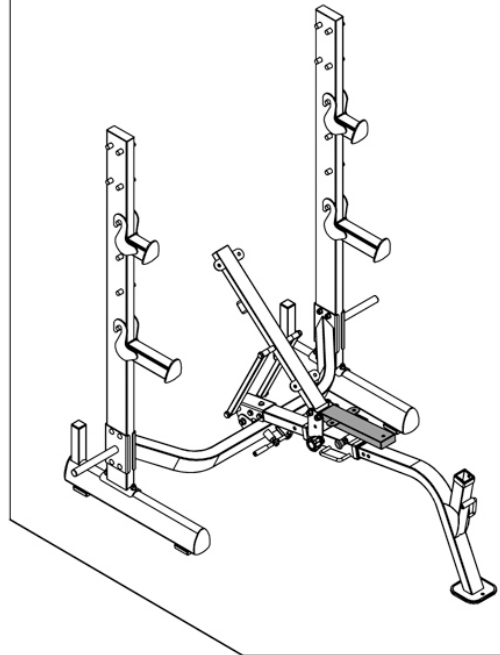
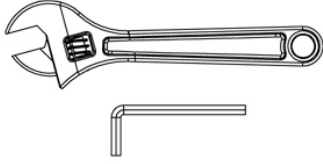
(60)		x 1	M12 x 3 3/4"
(61)		x 2	M12 x 7 1/4"
(71)	 	x 6	Ø 7/8"
(73)	 	x 3	M12



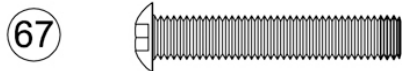
6



× 1 M12 x 3 3/4"  
 × 2 Ø 7/8"  
 × 1 M12



7



× 1

M8 x 1 3/4"



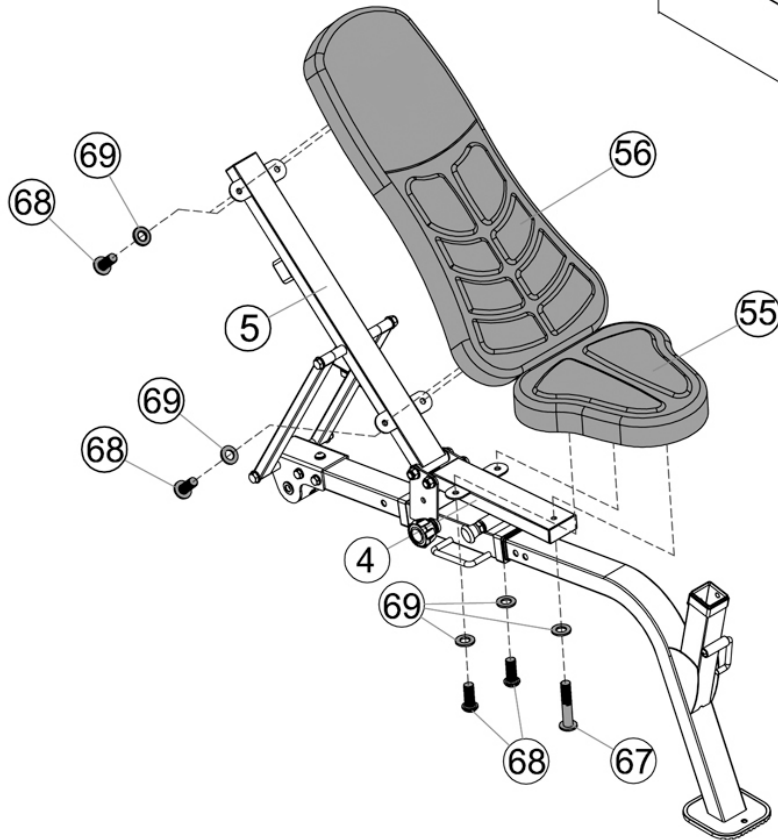
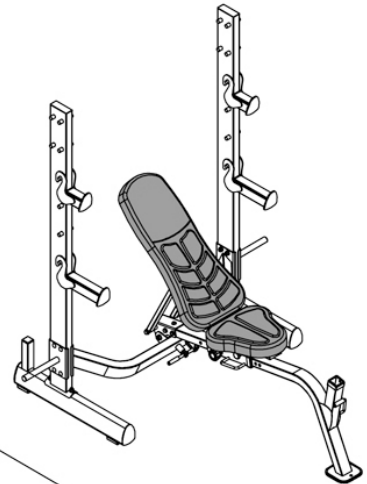
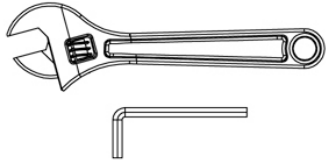
× 6

M8 x 3/4"



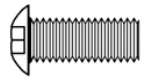
× 7

Ø 5/8"



8

66



x 2

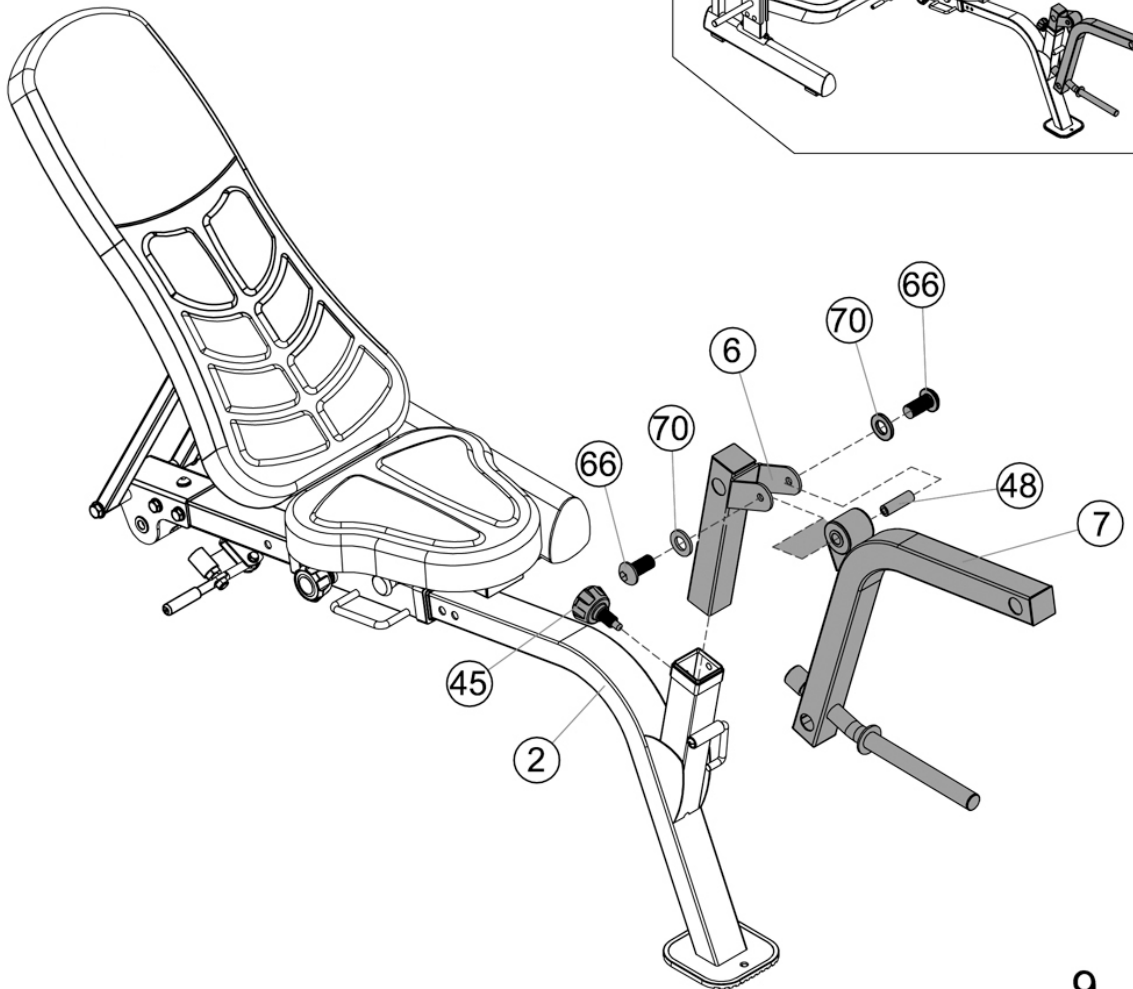
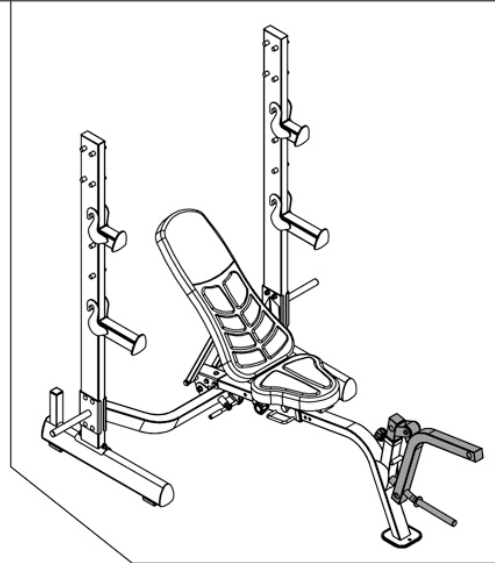
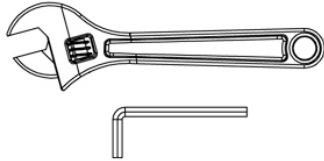
M10 x 3/4"

70

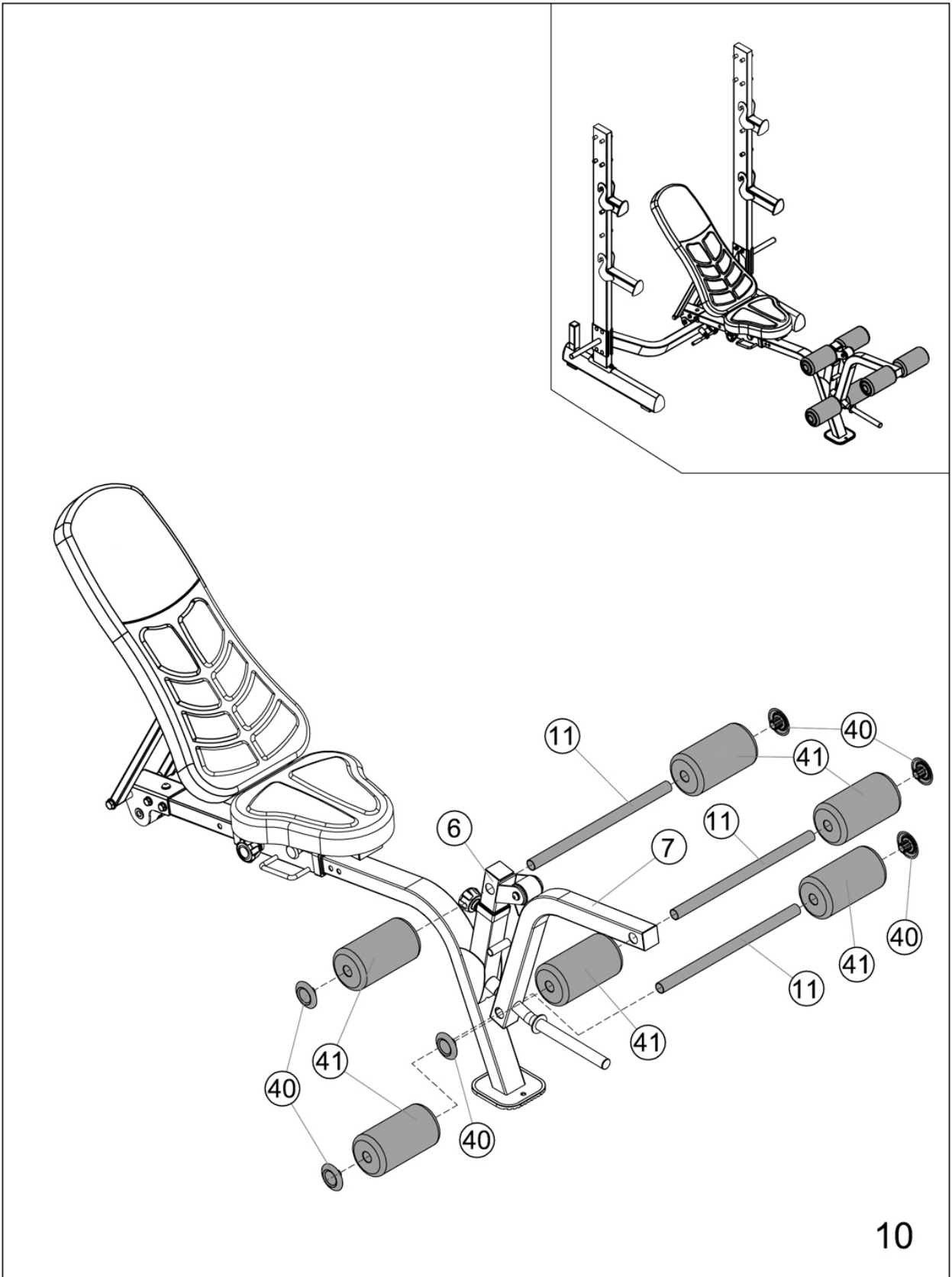


x 2

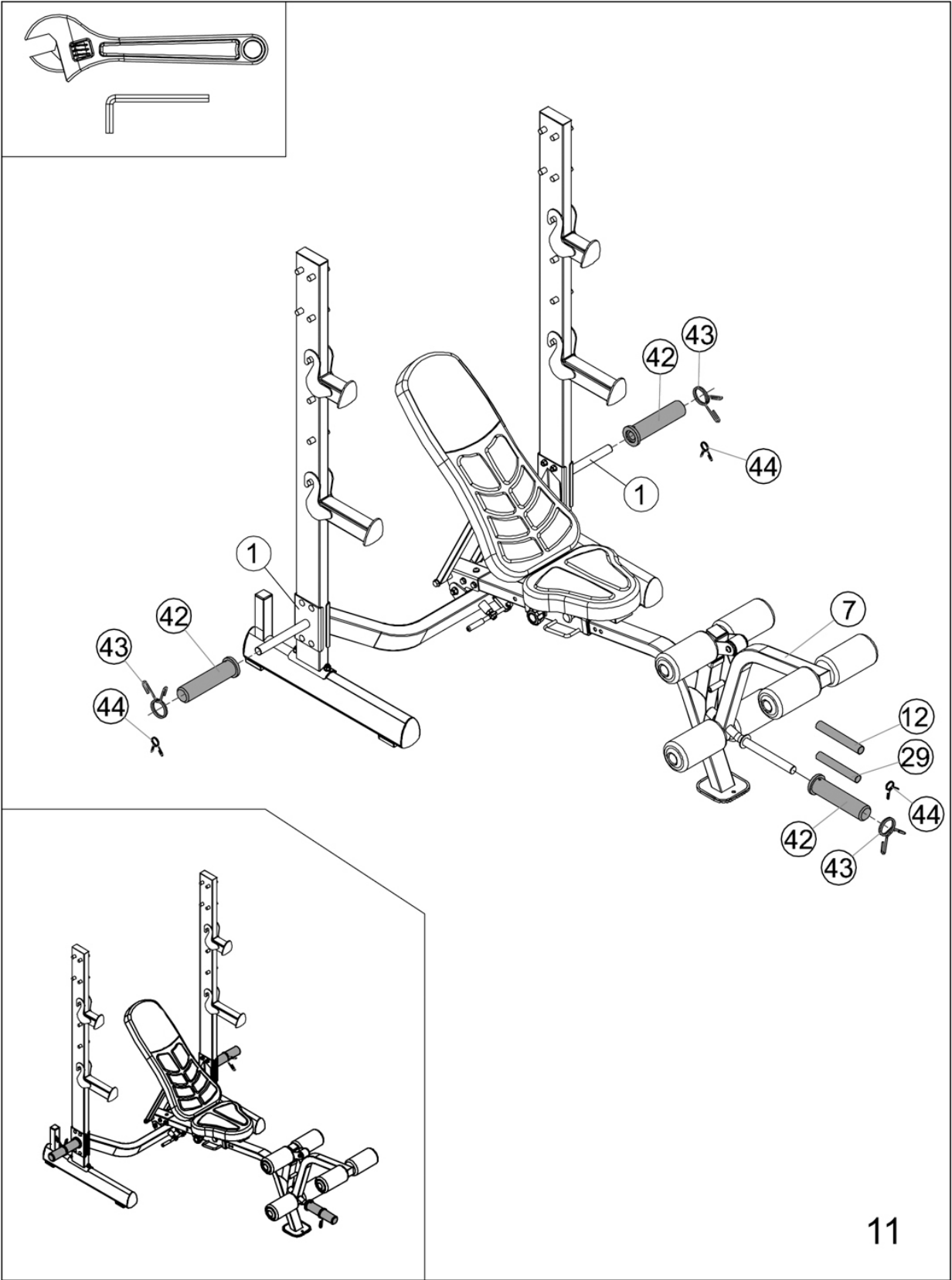
Ø 3/4"

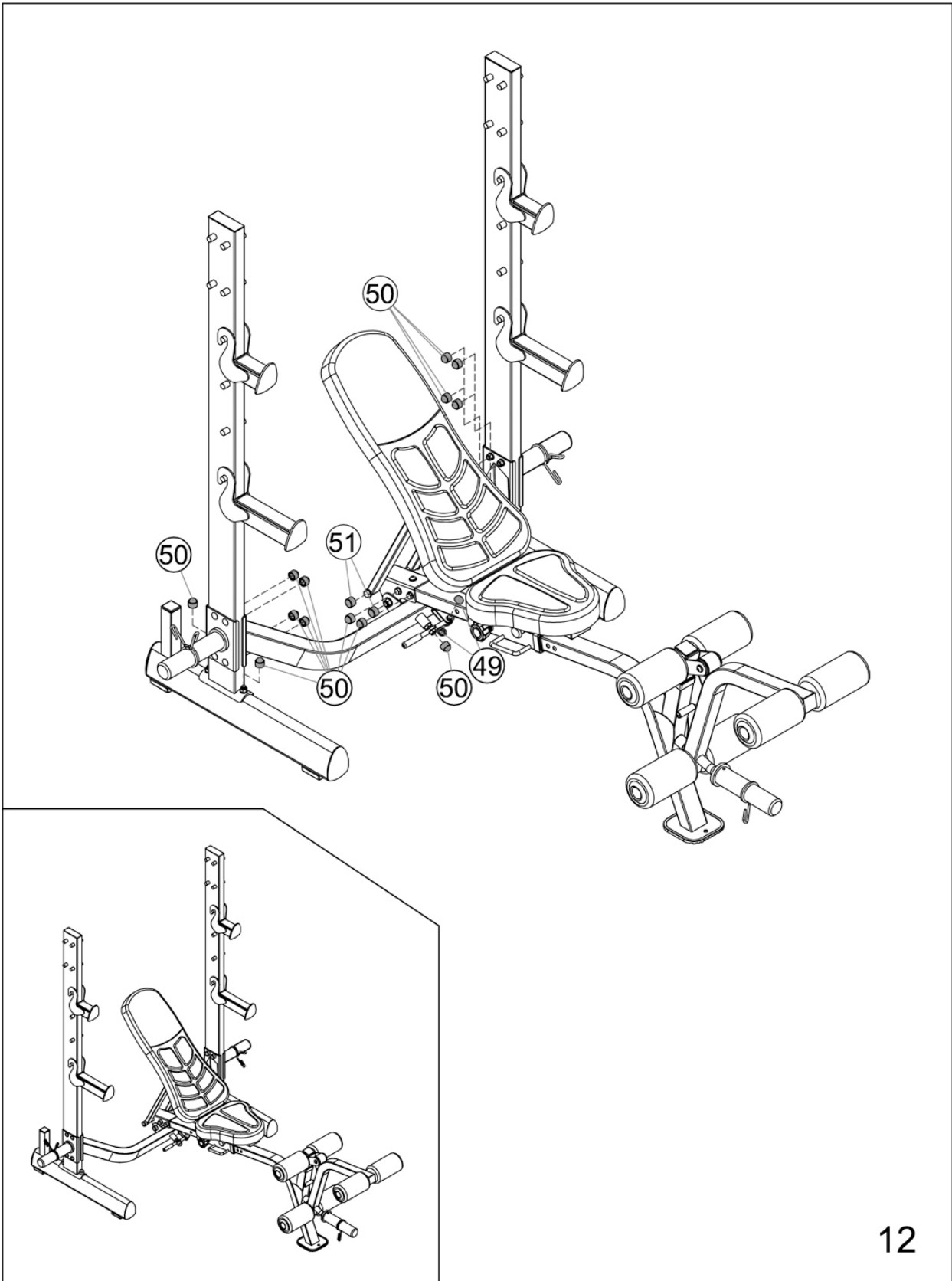


9



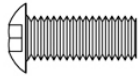






12

68



x 2

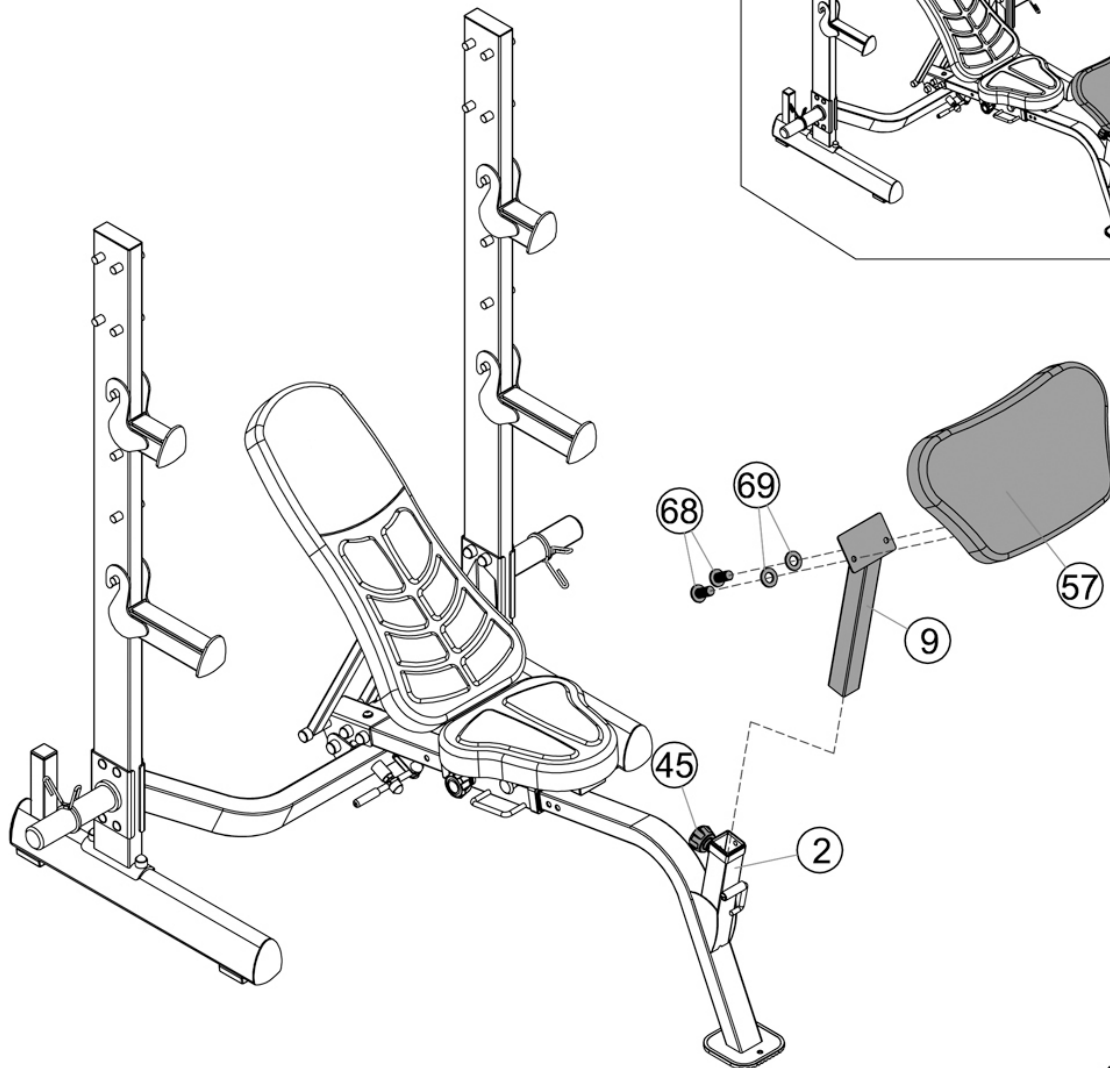
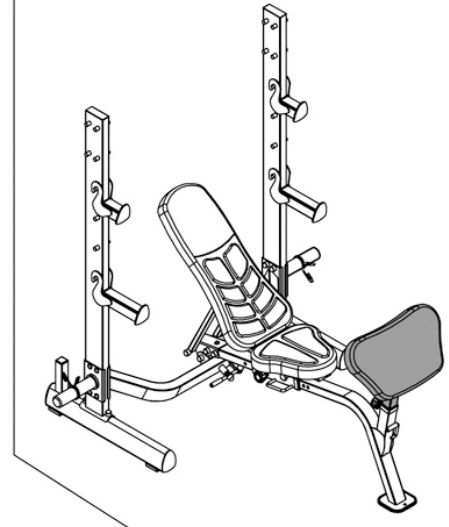
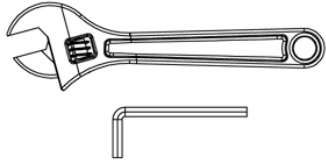
M8 x 3/4"

69

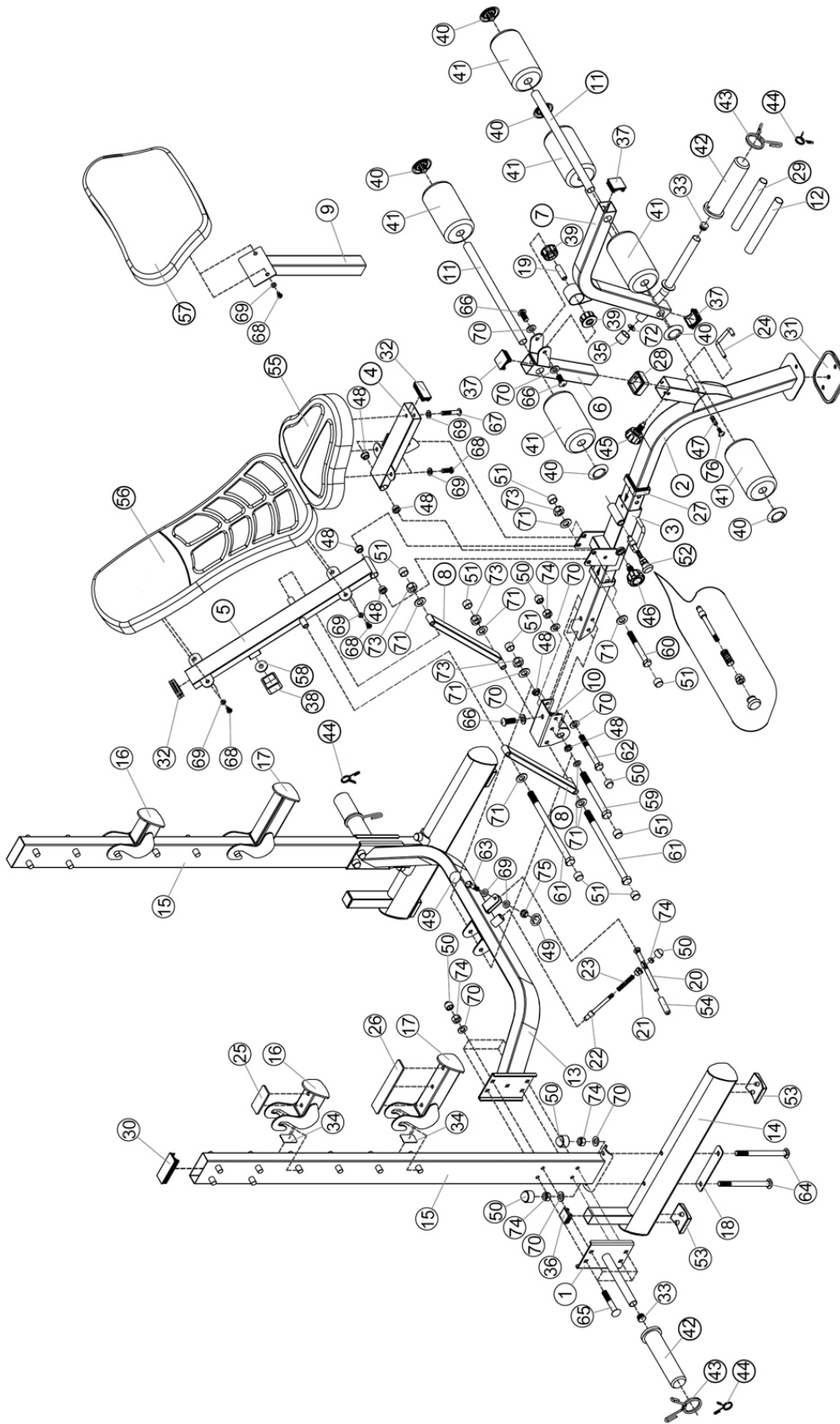


x 2

Ø 5/8"



13



**IMPEX® INC.**

2801 South Towne Avenue, Pomona, California 91766

Tel: (800) 999-8899 Fax: (626) 961-9966

**[www.impex-fitness.com](http://www.impex-fitness.com)**

**[support@impex-fitness.com](mailto:support@impex-fitness.com)**